

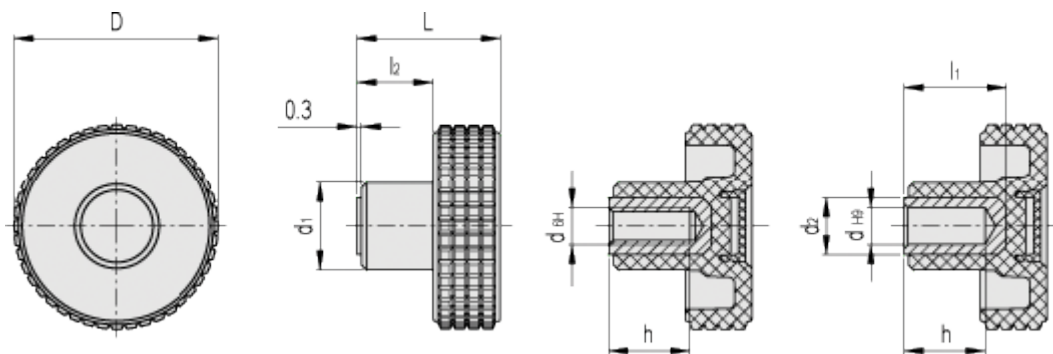
# Data Sheet



Article number: 23020344213

Description: E+G Fingergreb MBT.50-B-M8-C3, grey centre cap

## Measures



D	= 50	l2	= 16
d1	= 20		
d2	= -		
dH6	= M8		
dH9	= -		
h	= 20		
L	= 33		
l1	= -		